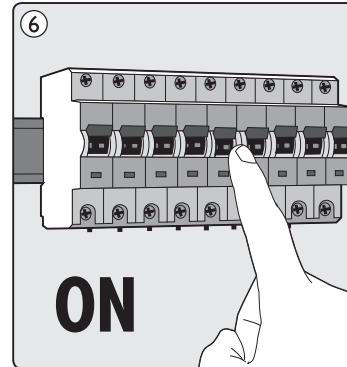
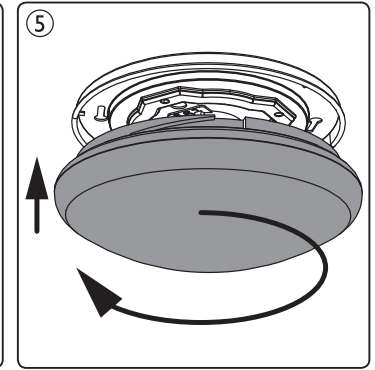
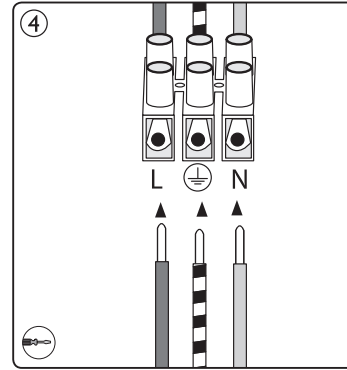
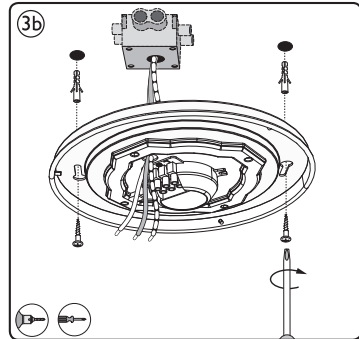
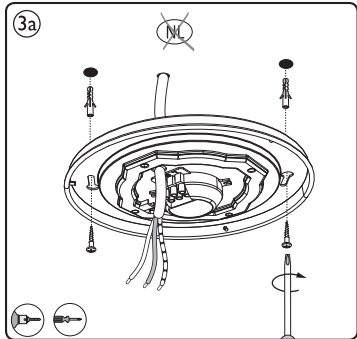
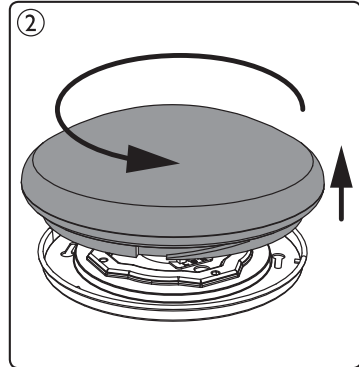
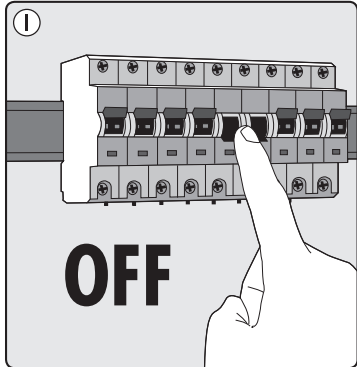
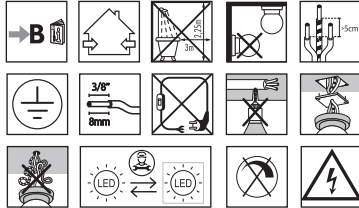


front

back

# PHILIPS

## Mauve



F 3336531P0

Philips and the Philips shield emblem are registered trademarks of Koninklijke Philips N.V.

Signify  
I.B.R.S. / C.C.R.I. Numéro 10461  
5600 VB Eindhoven, the Netherlands  
www.philips.com/lighting  
© 2021 Signify Holding  
©ignify

Signify Commercial UK Limited  
Unit 3, Guildford Business Park,  
Guildford, Surrey, GU2 8XG, UK



3241 658 21441  
Last update: 12/04/21

size: 105mmx148mm